

Remington

Home Owners Association

Guidelines for New Fence Construction

CC&R Appendix 3.0

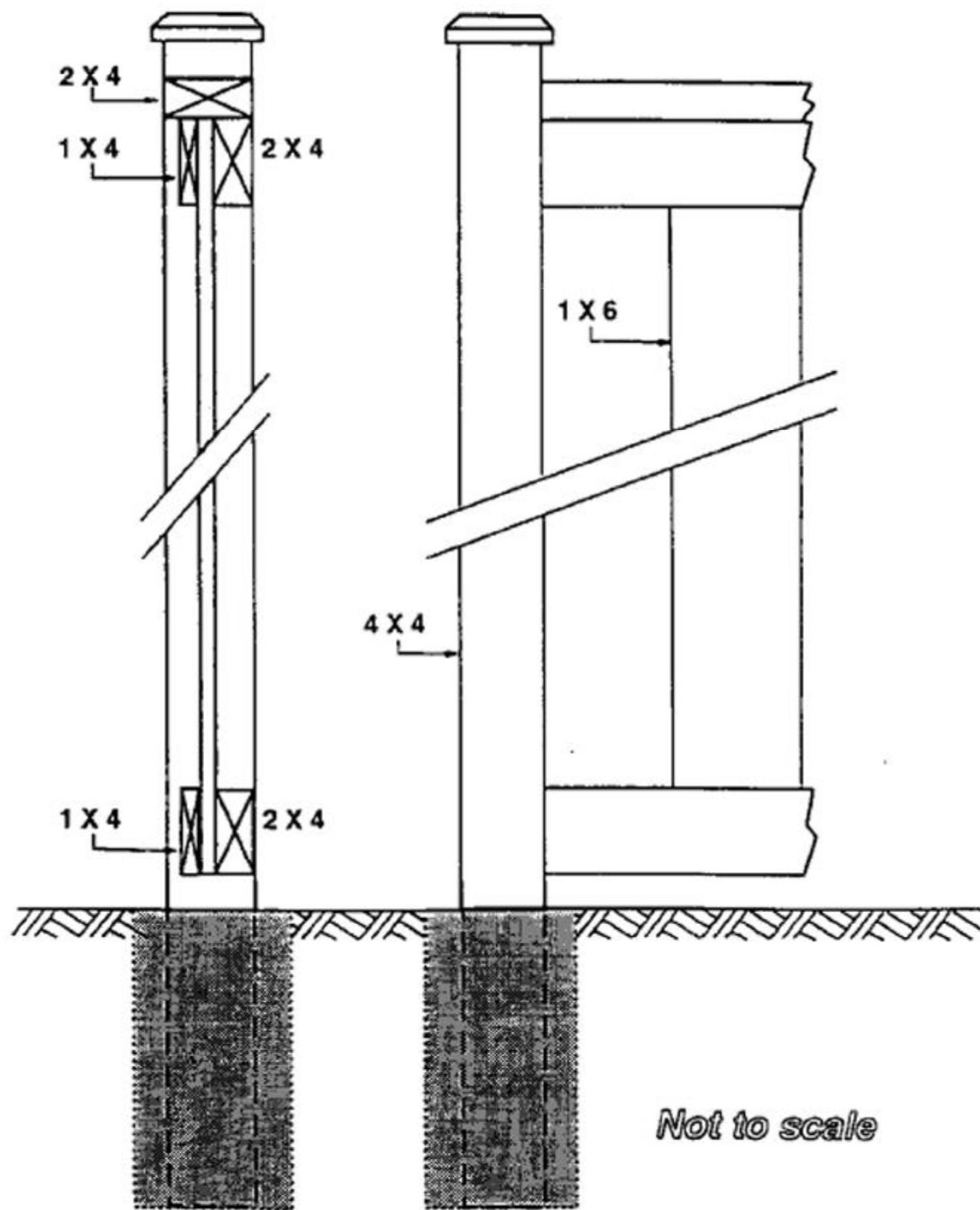
The purpose of this document is to provide guidelines for construction of fences in the Remington development and to clarify the intent of Article Ten, Section Fourteen of the Protective Covenants, Conditions and Restrictions (CC&Rs).

The guidelines are as follows:

- (1) All plans for fences must be submitted to the Architectural Control Committee for review, and approval must be granted by the ACC before beginning construction.
- (2) Two types of fences are currently accepted as standards:
 - (A) Natural cedar or redwood fences of the currently approved design, referred to as "Estate Style". (See attached drawings for dimension specifications)
 - (B) Same as above except that the top 12 to 16" would be cedar lattice. (See attached drawings)
- (3) Horse lots may use the post and rail (with wire for animal containment) design with approval from the Architectural Control Committee.
- (4) Fences are not to be painted. An application of a clear wood preservative is acceptable and recommended.
- (5) Intersection of the fence to the "living" end of the house must be set back at least to the middle of the outside wall. The set back on the garage side should be at least 2 ft.
- (6) Always check with your neighbors on any fence plan to have agreement on fence design, location, or any access requirements.

Remember, the reason for these guidelines is not to limit personal freedom of choice but to maintain a high standard of appearance for the natural beauty of in our development.

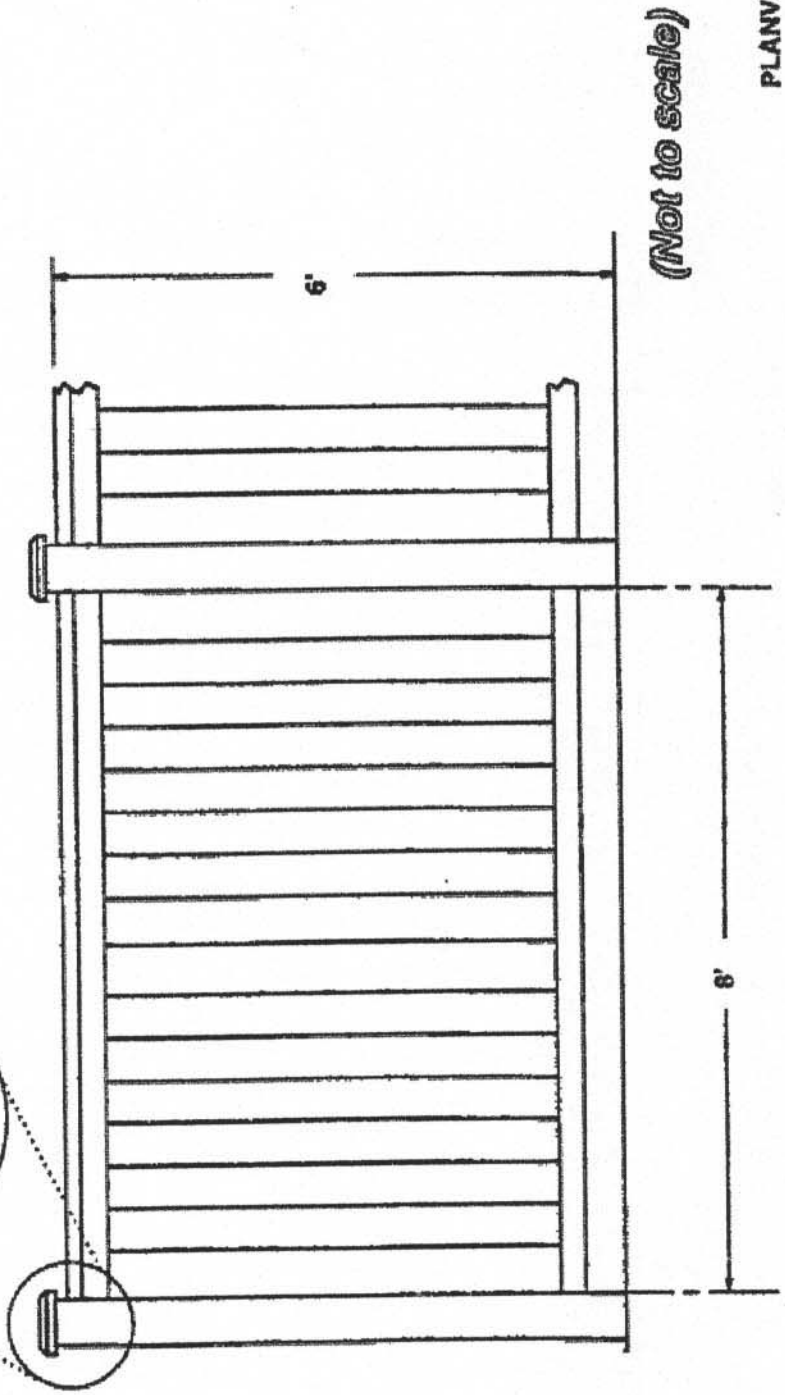
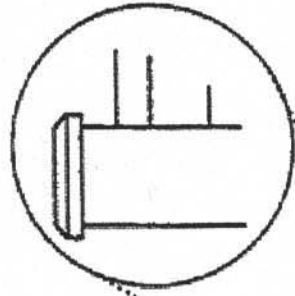
Remington H.O.A.
Fence Materials Guidelines
March 1994



Not to scale

Drawing 2 - Estate-Type Cedar Fence Elevation

Remington H.O.A.
Fence Guidelines
March 1994



(Not to scale)

PLANVIEW

Remington H.O.A.
Fence Guidelines

March 1994

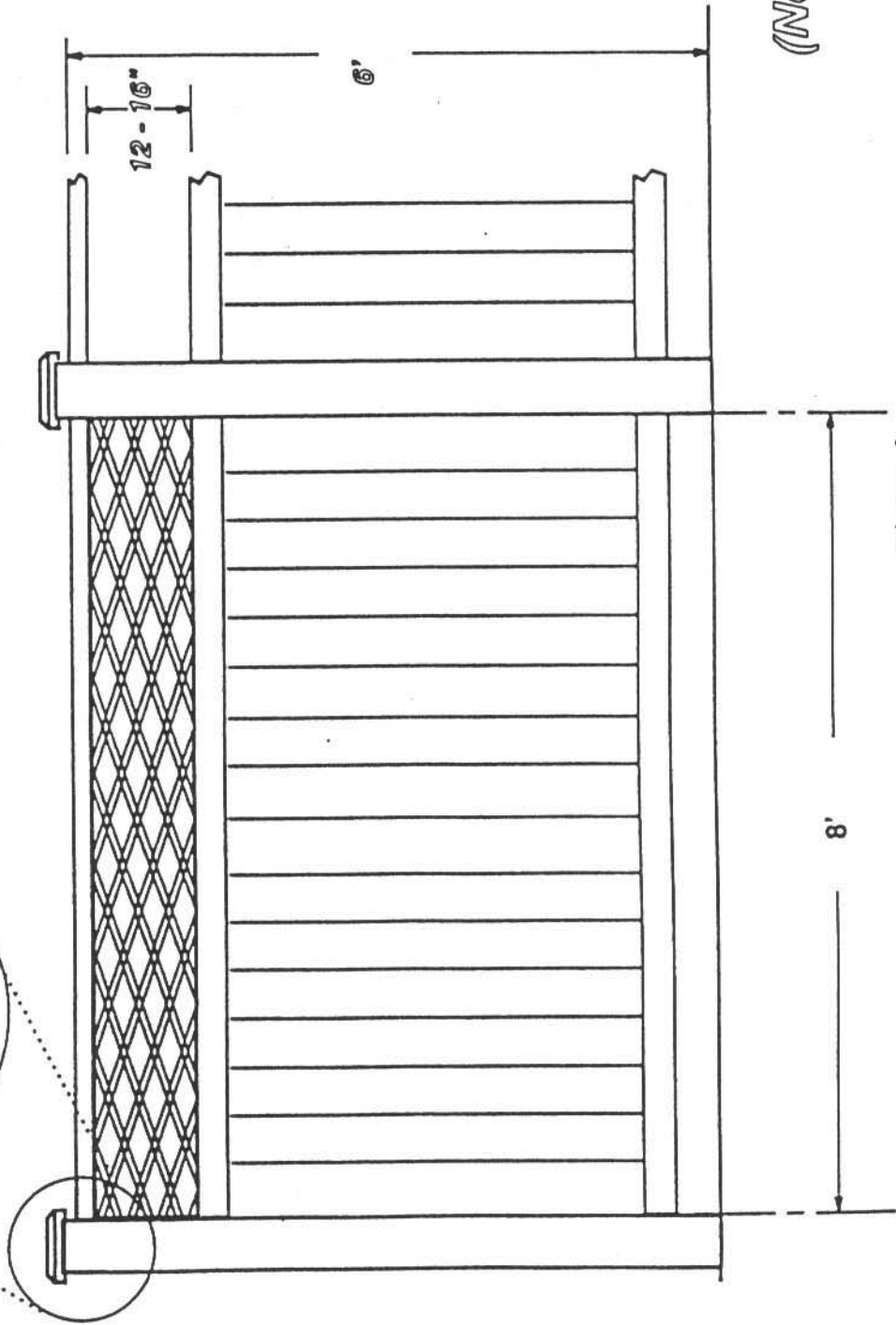
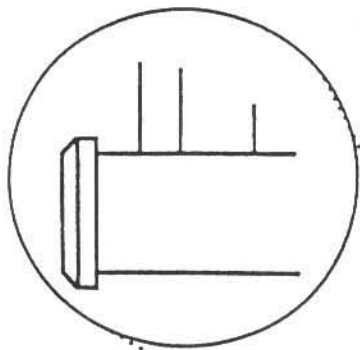


Figure 3